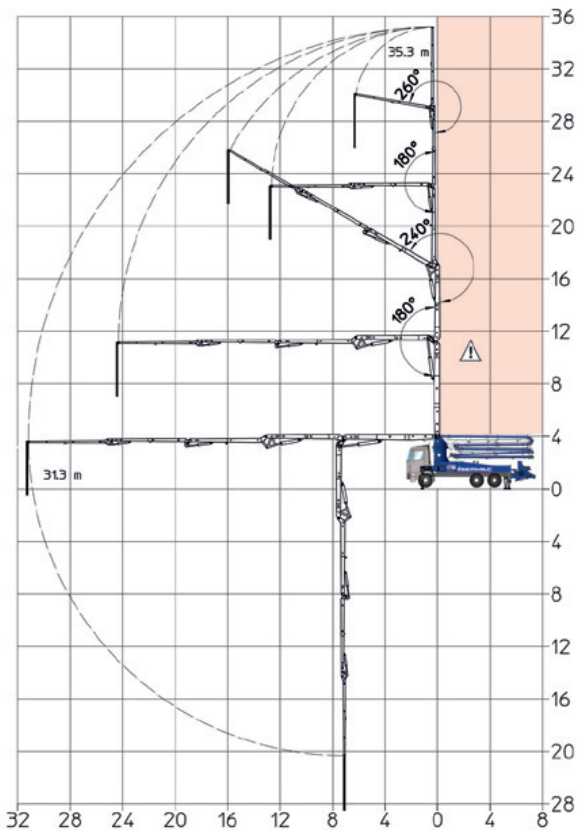
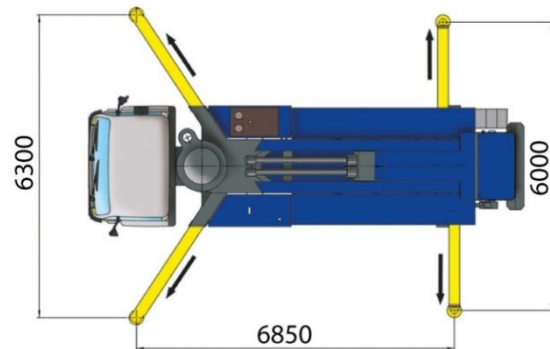
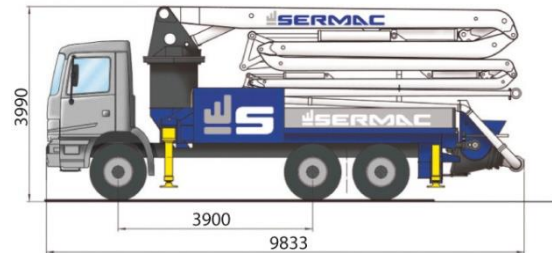


ZENITH 5Z36

PUMPING UNIT - specifications

SCL 150 AHP

Th. Concrete output	150 m ³ /h
Concrete pressure	85 bar
Number of strokes / minute	30
Piston diameter	230 mm
Stroke length	2000 mm
Powerd by	PTO
Concrete hopper	600l



FLECHE - spécifications

5Z36

Number of sections	5
Folding type	Z
Max vertical reach	35,3 m
Max horizontal reach	31,3 m
Max downward reach	24,7 m
Unfolding height	6,75 m
Rotation	370°
Section articulation	90°-180°-240°-180°-260°
Concrete pipeline	125 mm