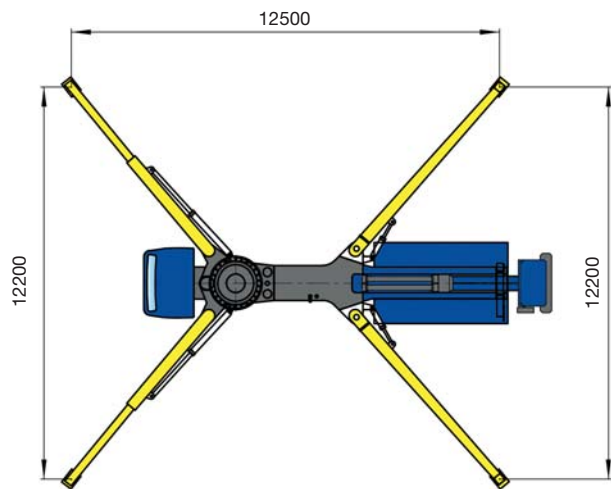
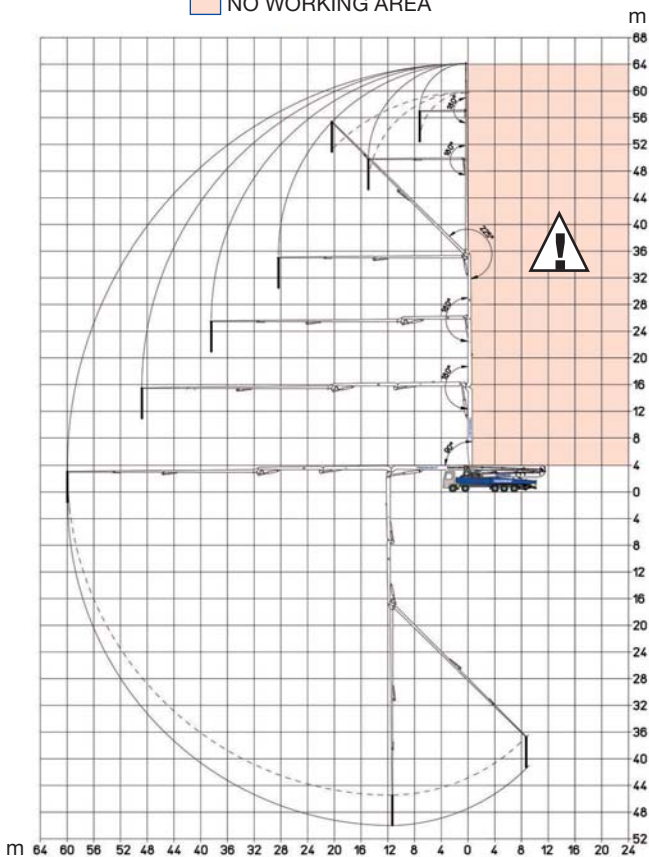


SIRIO 6RZ61

New model



NO WORKING AREA



PUMPING UNIT - specifications

	SCL150AHP
TH. CONCRETE OUTPUT (MAX)* ROD SIDE	149 m ³ /h (195 cy/h)
CONCRETE PRESSURE (MAX)* ROD SIDE	76 bar 1102 p.s.i.
NUMBER OF STROKES (MAX)* ROD SIDE	30 min
PISTON DIAMETER	230 mm
STROKE LENGTH	2000 mm
POWERED BY	PTO
CONCRETE HOPPER	600 l

BOOM - specifications

	6RZ61
NUMBER OF SECTIONS	6
FOLDING TYPE	RZ
MAX VERTICAL REACH	60,35 m
MAX HORIZONTAL REACH	56,35 m
MAX DOWNWARD REACH	-44,55 m
ROTATION	370°
SECTION ARTICULATION	90° - 180° - 180° - 225° - 180° - 180°
CONCRETE PIPELINE	Ø 125 mm

*Cannot be reached simultaneously

Also available different models: please, don't hesitate to contact our offices