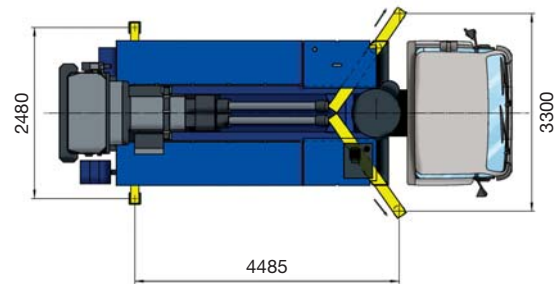
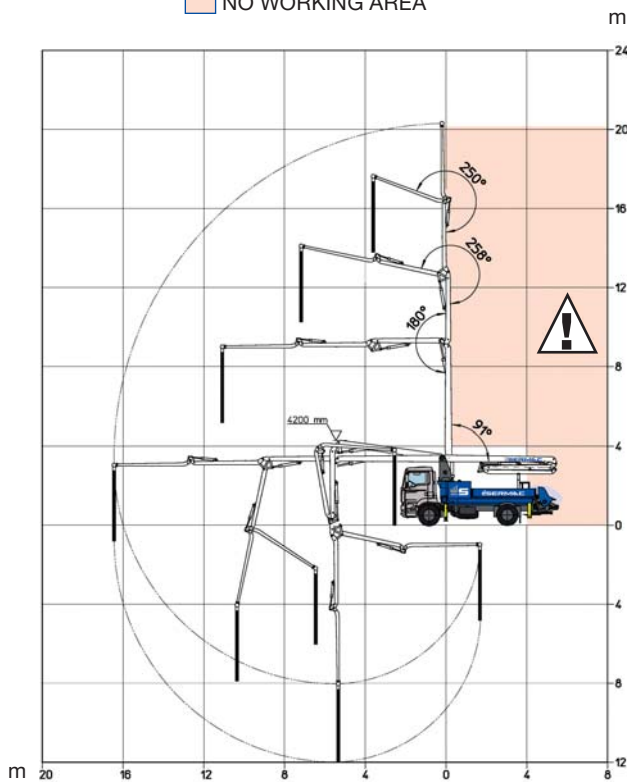


ZENITH 4ZR20/21

city PUMP



NO WORKING AREA



PUMPING UNIT - specifications

	SCH60A	SCM80AHP	SCM100A
TH. CONCRETE OUTPUT (MAX)* ROD SIDE	60 m ³ /h (78 cy/h)	83 m ³ /h (108 cy/h)	100 m ³ /h (130 cy/h)
CONCRETE PRESSURE (MAX)* ROD SIDE	69 bar 999 p.s.i.	81 bar 1152 p.s.i.	61 bar 884 p.s.i.
NUMBER OF STROKES (MAX)* ROD SIDE	28 min	28 min	25 min
PISTON DIAMETER	180 mm	200 mm	230 mm
STROKE LENGTH	1400 mm	1600 mm	1600 mm
POWERED BY	PTO	PTO	PTO
CONCRETE HOPPER	450 l	600 l	600 l

BOOM - specifications

	4ZR20	4ZR21
NUMBER OF SECTIONS	4	4
FOLDING TYPE	ZR	ZR
MAX VERTICAL REACH	19,4 m	20,3 m
MAX HORIZONTAL REACH	15,4 m	16,3 m
MAX DOWNWARD REACH	-12 m	-12 m
UNFOLDING HEIGHT	4,2 m	4,2 m
ROTATION	370°	370°
SECTION ARTICULATION	91° - 180° - 258° - 250°	
CONCRETE PIPELINE	Ø 125 mm	Ø 125 mm

*Cannot be reached simultaneously

Also available different models: please, don't hesitate to contact our offices